

2 station model: RCO860005 4 station model: RCO860006

Technical Specifications:

- maximum input voltage 24 volts
- minimum input voltage 17 volts
- works on most 24 volt systems
- consumes only 50mA

Switch Hitter: Operate Multiple Valves from a Single Station

Switch Hitter is designed to allow a single station on a controller to operate multiple solenoid valves.

Each of the valves can be independently timed at the Switch Hitter unit from 1 to 255 minutes in 1 minute increments. The Switch Hitter can allow easy expansion of an existing irrigation system without a larger controller and/or trenching wiring.

Technical features:

- The run time for each zone is programmed at the Switch Hitter.
- Set the controller for the total run time of all stations controlled by the Switch Hitter. Example 4 stations each 15 minutes, requires 60 minutes on the station at the controller. (if the controller run time is longer than the total needed by the stations, the unit will recycle back to the first station and run it again)

Applications:

- Add one, two or three (total of 4) solenoid valves where no more stations are available on the controller or where wiring cannot be easily installed.
- Use a Switch Hitter where different and permanent watering times are required on the individual stations.

Programming Instructions:

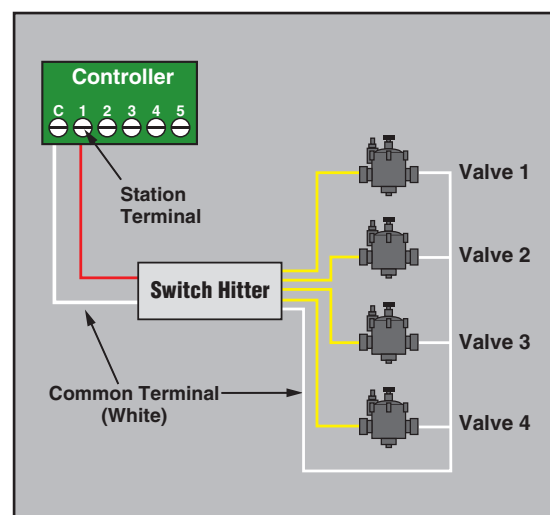
Open the back cover by removing 6 Phillips screws to access programming dip switches. The unit is shipped with all switches off (left position) except switch 1. This represents one minute of run time. Use the chart to determine the switches to activate to create the desired run time for each zone. The two station outputs will be sent through the single zone wire.

Example: to activate 20 minutes of run time, move switches 3 (4 minutes) and 5 (16 minutes) to "on".

Switch Settings for Timing	
Sw1 = 1 minute	
Sw2 = 2 minutes	
Sw3 = 4 minutes	
Sw4 = 8 minutes	
Sw5 = 16 minutes	
Sw6 = 32 minutes	
Sw7 = 64 minutes	
Sw8 = 128 minutes	



Illustration shows switches set to 72 minutes.



The Source has tested the Switch Hitter on as many different standard 24 volt controllers as possible. However no representations or guarantees are made that these products will work in all field conditions or situations. Users must make their own assessments and judgments in the application of these products.